



Oil Tools

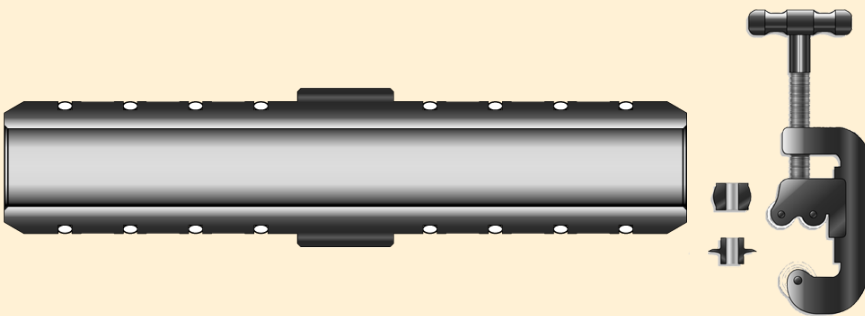
sales@ServaOilTools.com

ServaOilTools.com

+1 (940) 503-4437



DOUBLE ENDED ROLL-ON CONNECTOR



Double Ended Coiled Tubing Roll-On Connectors allow the inline attachment of two lengths of coiled tubing.

Double Ended Roll-On Connectors have the same outside diameter as the coiled tubing.

Double Ended Roll-On Connectors attach to the coiled tubing's internal diameter. The connector is secured by crimping the tubing into the connectors pre-formed channels with a Roll-On Connector Crimping Tool.

DESIGN FEATURES/BENEFITS

- ▶ High tensile strength.
- ▶ Internal pressure seal.
- ▶ Easy make up.

One company at the center of the energy revolution is uniquely equipped with the know-how and ingenuity to make possibilities happen—[SERVA group.com](http://SERVAgroup.com)



Oil Tools

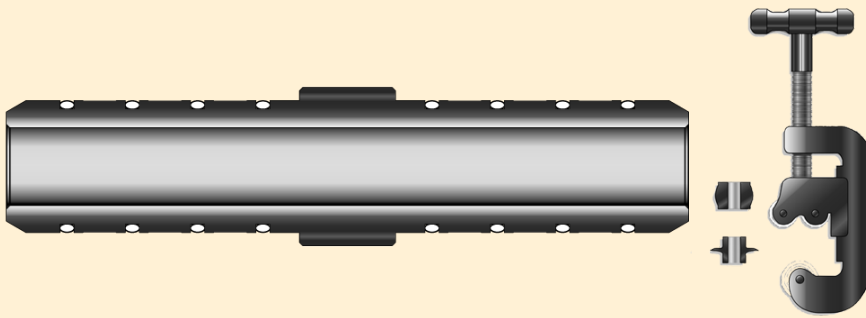
sales@ServaOilTools.com

ServaOilTools.com

+1 (940) 503-4437



DOUBLE ENDED ROLL-ON CONNECTOR



SERVA Specification Guide Double Ended Roll-On Coil Connector						
Coiled Tubing Diameter (in)	Max OD (in)	Min ID (in)	Pressure (psi)	Tensile Strength	Part Number	Crimping Tool Part Number
1 1/4*1/8	1.250	0.500	10,000	23,000	2191125524	2191150523
1 1/4*0.109	1.250	0.500	10,000	16,000	2191125525	2191150523
1 1/2*1/8	1.500	0.750	10,000	25,000	2191150524	2191150523
1 1/2*0.134	1.500	0.750	10,000	32,000	2191150520	2191150523
1.75 *0.156	1.750	0.750	10,000	38,000	2191175527	2191150523
2*0.175	2.000	1.000	10,000	45,000	2191200524	2191150523
2 *0.156	2.000	1.000	10,000	42,000	2191200527	2191150523
2 3/8*0.175	2.375	1.500	10,000	65,000	2191237524	2191150523

One company at the center of the energy revolution is uniquely equipped with the know-how and ingenuity to make possibilities happen—[SERVA group.com](http://SERVAgroup.com)