



Oil Tools

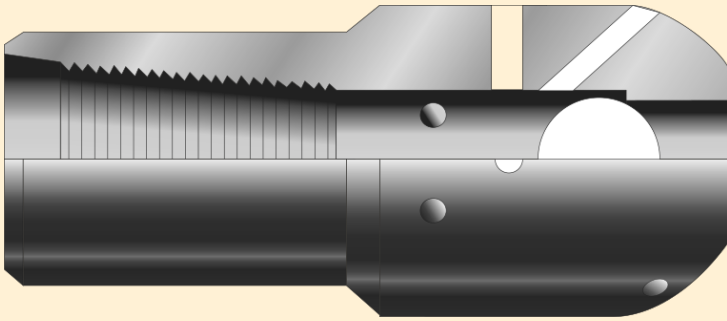
sales@ServaOilTools.com

ServaOilTools.com

+1 (940) 503-4437



MULTIPLE UP FLOW PORT NOZZLE



SERVA Specification Guide Multiple Up Flow Port Nozzle			
Max OD (in)	Min OD (in)	Nozzle Configuration	Part Number
1.687	0.250	1x0.500" 4x0.187"@45° 4x0.187"@90°	2187168362
2.125	0.250	1x0.500" 4x0.250"@45° 4x0.250"@90°	2187212362
2.375	0.312	1x0.625" 4x0.312"@45° 4x0.3127"@90°	2187237362
3.125	0.375	1x0.750" 4x0.375"@45° 4x0.375"@90°	2187312362

One company at the center of the energy revolution is uniquely equipped with the know-how and ingenuity to make possibilities happen—SERVAgroup.com